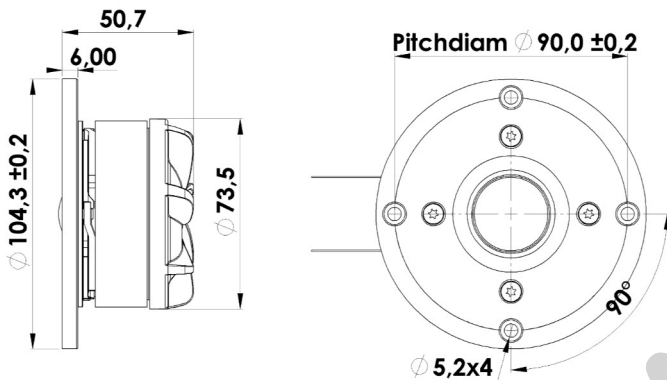


28 mm Dome Tweeter

D2906/972000



T-S Parameters:

Resonance frequency [fs]	530 Hz
Mechanical Q factor [Qms]	4.8
Electrical Q factor [Qes]	0.84
Total Q factor [Qts]	0.71
Force factor [Bl]	3.1 Tm
Mechanical resistance [Rms]	0.35 kg/s
Moving mass [Mms]	0.49 g
Compliance [Cms]	0.18 mm/N
Effective diaph. diameter [D]	33 mm
Effective piston area [Sd]	8.5 cm ²
Equivalent volume [Vas]	0.02 l
Sensitivity (2,83V/1m)	90 dB

Mechanical Data:

Voice coil diameter	28 mm
Voice coil height	3.3 mm
Voice coil layers	2
Gap height	2.5 mm
Linear excursion	± 0.4 mm
Max mech. excursion	± 1.5 mm
Unit weight	0.7 kg
Cabinet Displacement Volume	0.15 l

Electrical Data:

Nominal impedance [Zn]	6 Ω
Minimum impedance [Zmin]	6.1 Ω
Maximum impedance [Zo]	39.3 Ω
DC resistance [Re]	4.8 Ω
Voice coil inductance [Le]	0.02 mH

Power Handling:

100h RMS noise test (IEC 18.4)	TBD W
Long-term max power (IEC 18.2)	TBD W
X-over: 2. order HP Butterworth, 2,8 kHz	

Key Features:

- Low distortion
- Controlled directivity waveguide
- Patented Symmetrical Drive (SD-2) motor
- Low Resonance rear chamber

Recommendations (please see Tech Note):

Operating frequency range:	1800-20000
Cabinet volume - closed box:	N.a.
Cabinet volume - vented box:	N.a.

